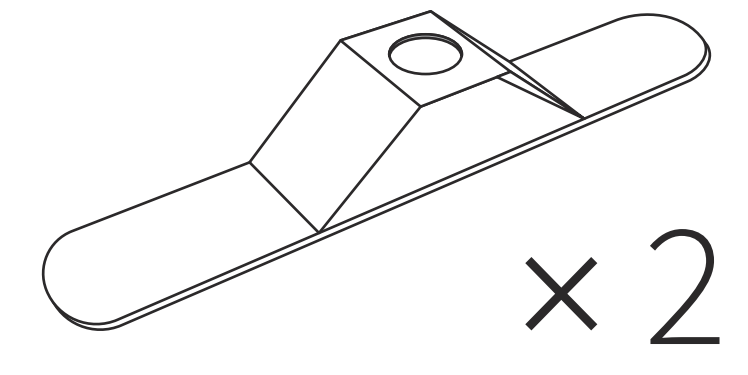
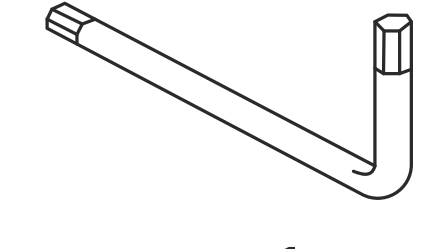


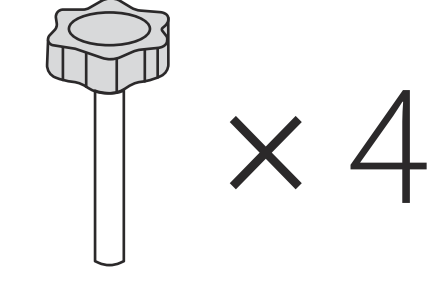
Black Poles



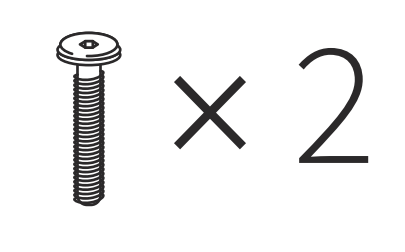
Feet



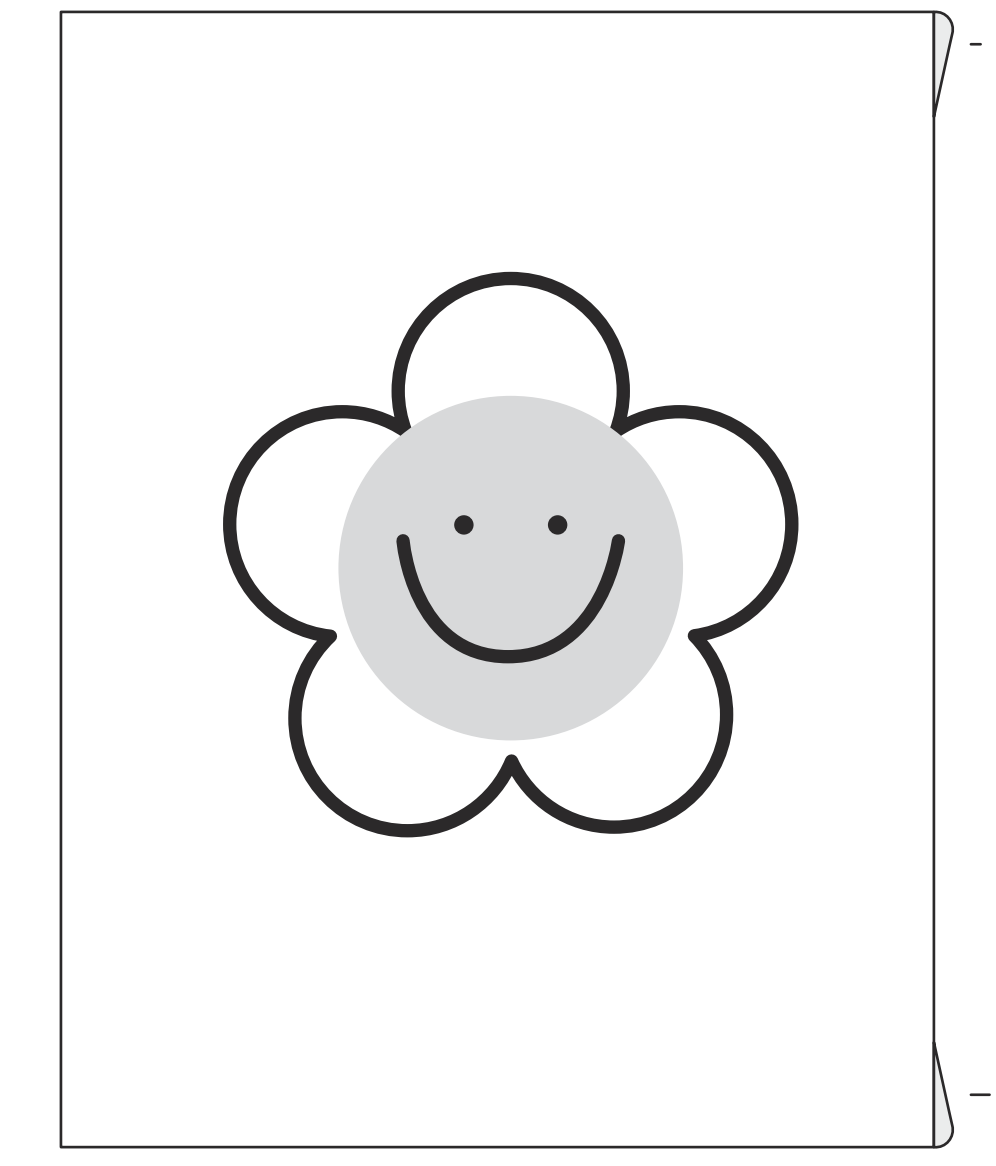
Allen Key



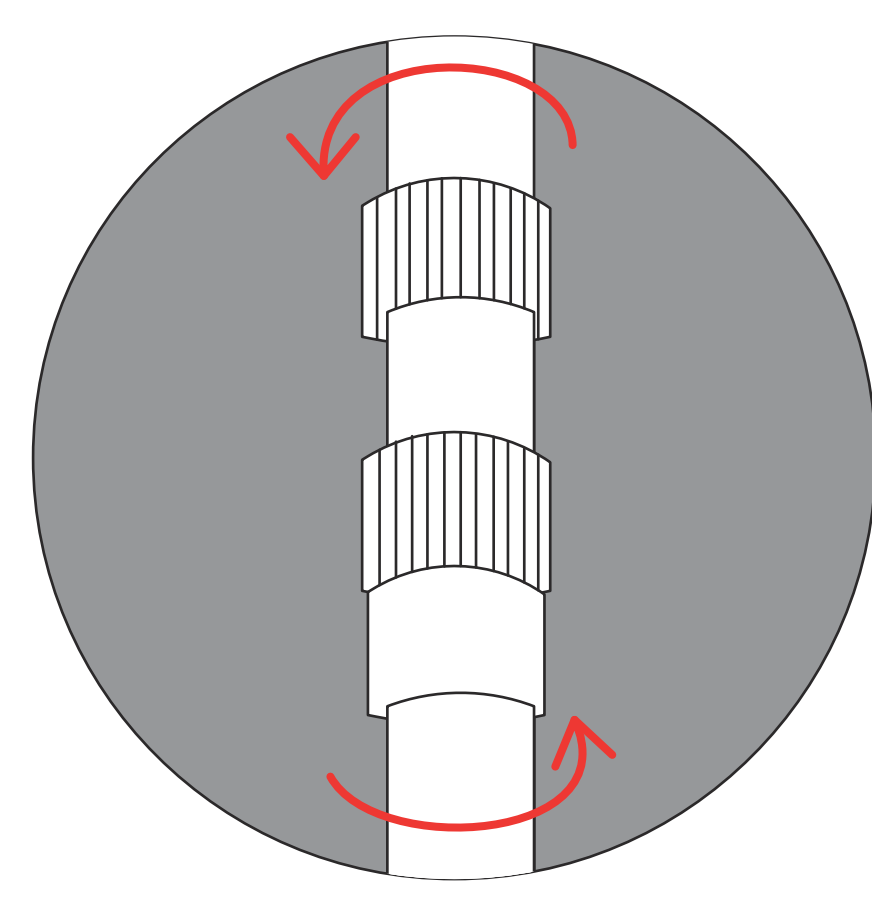
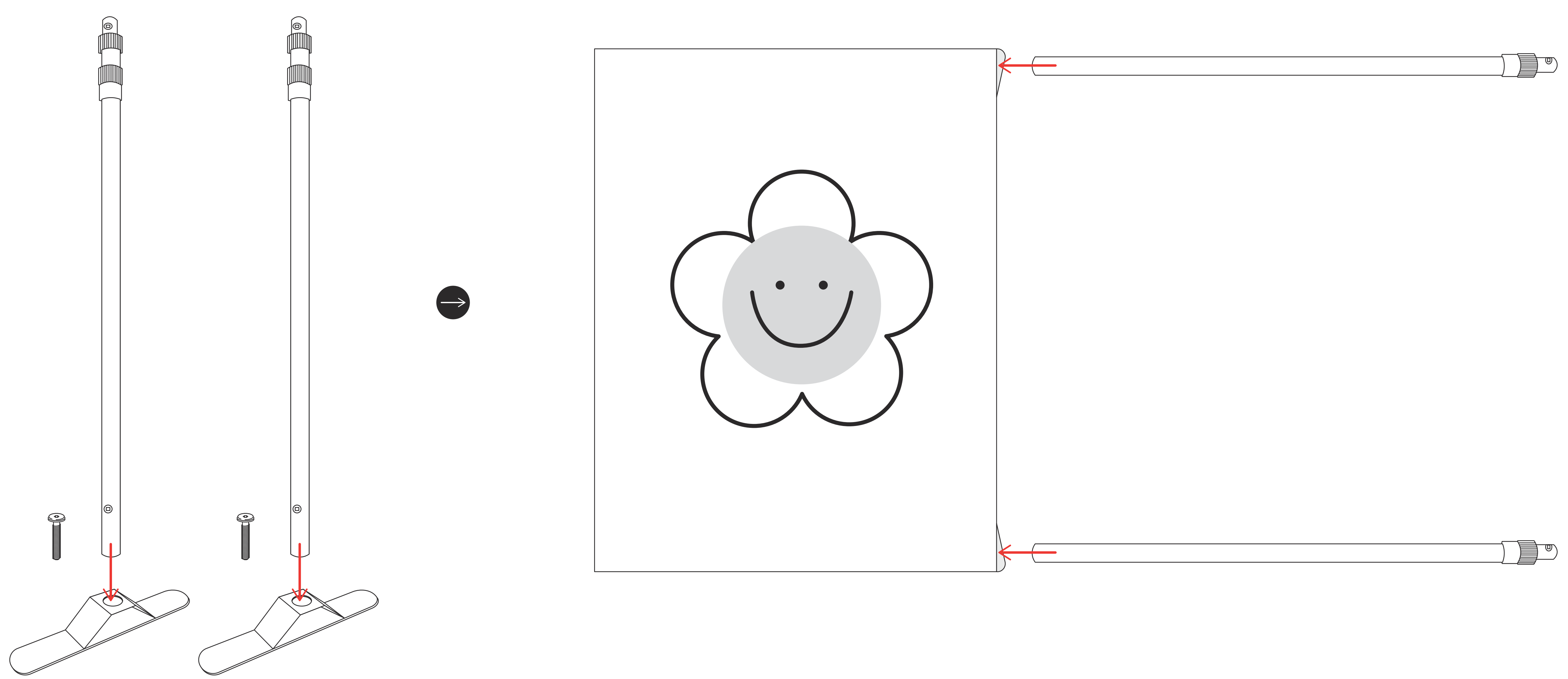
Large Screw
Handles



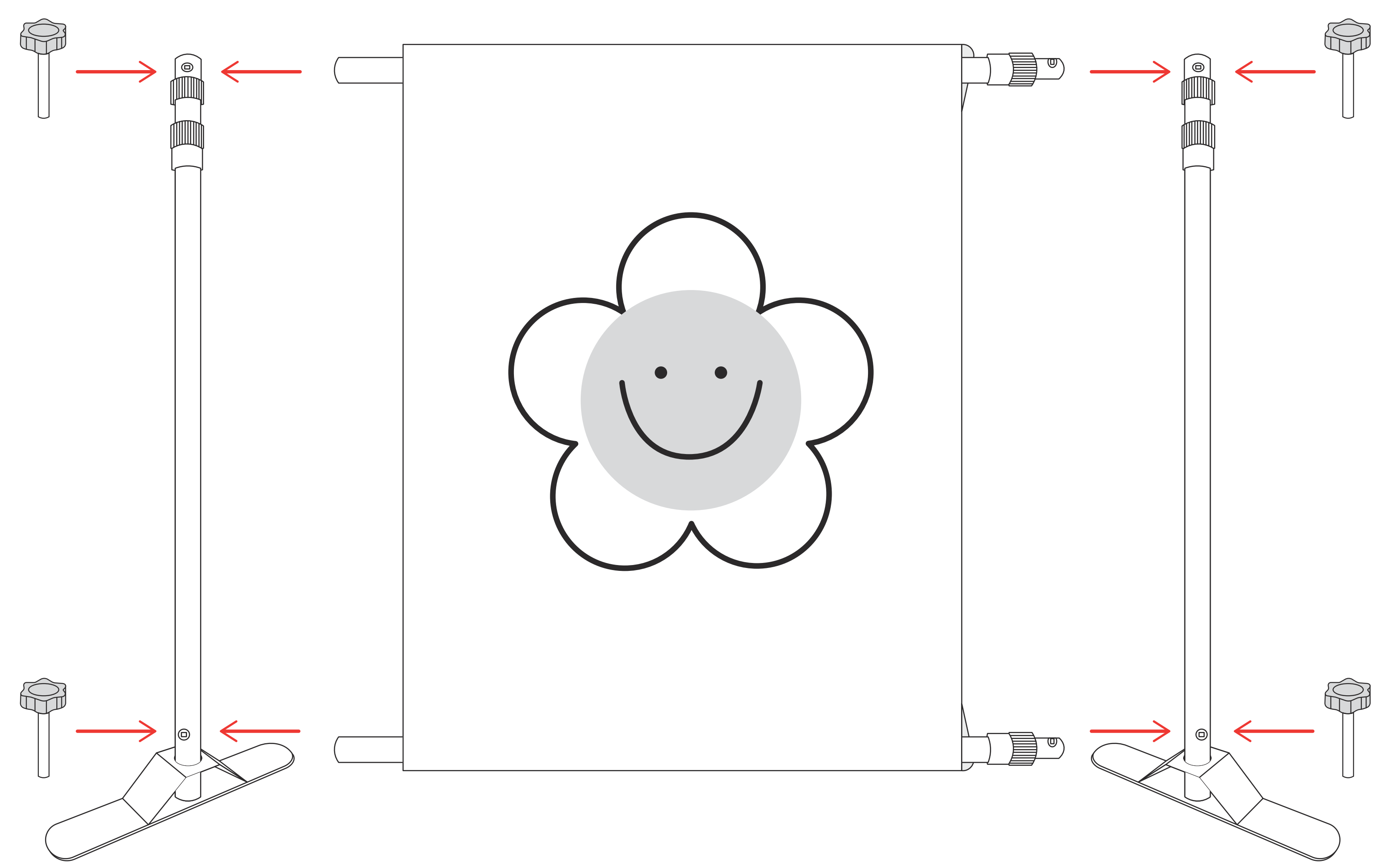
Screws
for the feet to hold the poles



Banner



adjust the height of the black pole



Instructions:
Premium Backdrop Frame Installation

coloursonic
London's Grand Format Printing Specialists
tel: 020 7286 4766
info@coloursonic.co.uk